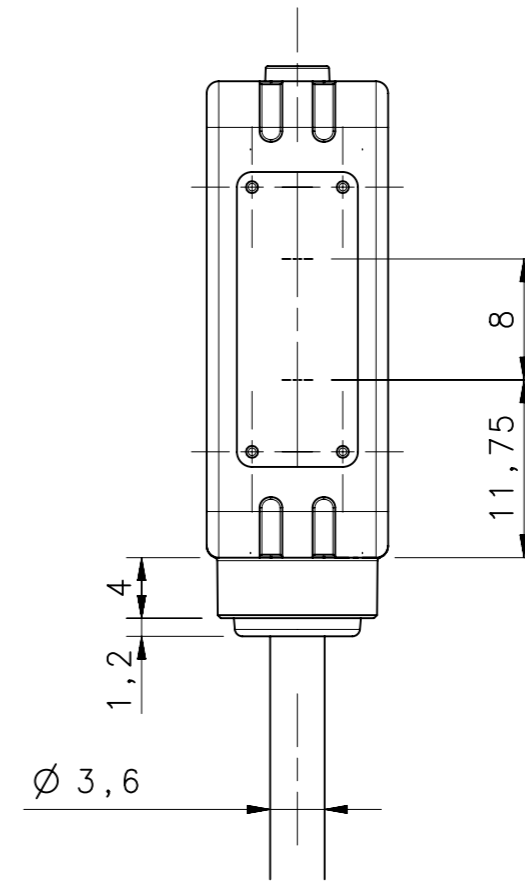


M8x1 VERSION

RECEIVER
A, B, C, F, M, D
EMITTER
A, B, C, G, M, D



CABLE VERSION

RECEIVER
A, B, C, F, M, D
EMITTER
A, B, C, G, M, D

MOD.	REV.	PROPOSAL	DESCRIPTION	DATE	SIGN			
All materials employed have to be selected among RoHS compliant materials: the EC directives to be referred to are 2002/95/EC and correlated subsequent ones.								
DIMENSIONS WITHOUT TOLERANCE DEGREE:			NOTE					
.. according to ISO 2768								
PRECISION DEGREE	DIMENSIONAL GROUPS					TREAT.	SCALE	
	> 0 A 6	> 6 A 30	> 30 A 120	> 120 A 315	> 315 A 999			
MEDIUM (m)	± 0,1	± 0,2	± 0,3	± 0,5	± 0,8	MATER.		
PRECISE (P)	± 0,05	± 0,1	± 0,15	± 0,2	± 0,3	DES. BY DESIGNER	DATE DATE	APPROV. APPROVER
DATALOGIC ™ www.datalogic.com			NAME			S100		MOLD N°
								CODE
								PART N°
								REV.